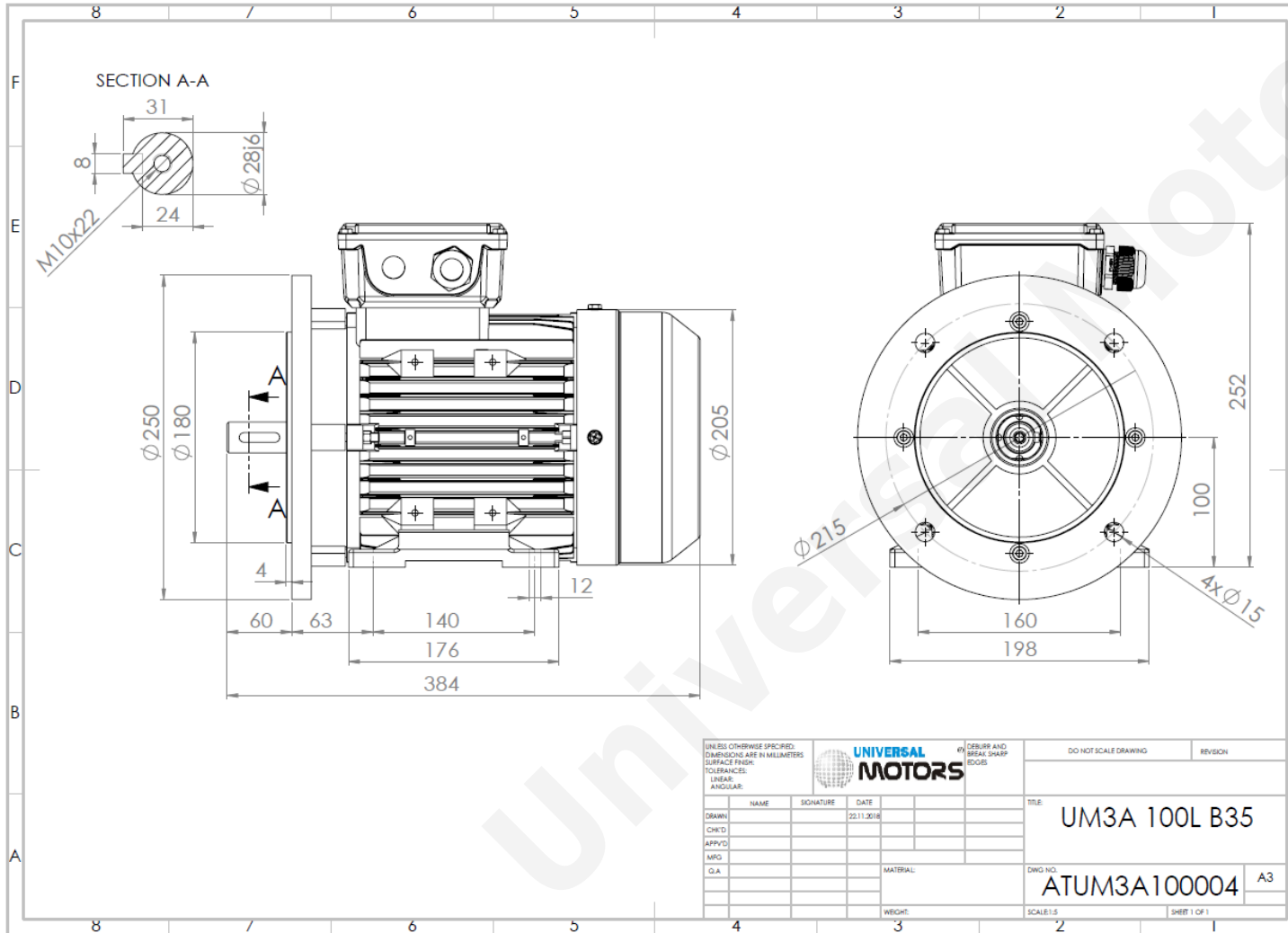




TECHNICAL DATA

Three Phase Electric Motors - Aluminum Frame
 PE31 100L2-4
 3 kW / 4 Cv
 1450 RPM



Motor type:	PE31 100L2-4
Output:	3 kW / 4 Cv
Speed (min ⁻¹):	1450 RPM
Frequency:	50 Hz
Voltage:	400 V
Current:	6.0 A
Power factor (Cos Ø):	0.82
Poles:	4
Insulation class:	F
Temperature rise Class:	B
Efficiency 50%:	85.5 %
Efficiency 75%:	86.4 %
Efficiency 100%:	87.7 %
Torque:	19.8 N.m
Tstarting/Tnominal:	2.3
Istarting/Inominal:	7.6
Tmaximum/Tnominal:	2.3
Noise:	70 Db(A)
Weight:	30 Kg
Bearing DE:	6206 2Z C3
Bearing NDE:	6206 2Z C3

UNLESS OTHERWISE SPECIFIED: DIMENSIONS ARE IN MILLIMETERS SURFACE FINISH: TOLERANCES: LINEAR: ANGULAR:				UNIVERSAL MOTORS		DEBURR AND BREAK SHARP EDGES		DO NOT SCALE DRAWING		REVISION	
DRAWN	NAME	SIGNATURE	DATE	TITLE: UM3A 100L B35				DWG NO.:			
CHK'D								ATUM3A100004			
APP'VD								SCALE:1:5			
MFG								SHEET 1 OF 1			
Q.A.											

Regime - S1

Altitude - 1000m

Environment Temperature - 40°C

CONTACTS:

UNIVERSAL MOTORS Tel: +351 252 299 080
 Rua de São Brás,745 Fax: +351 252 299 089
 4480-782 VILA DO CONDE Mail: geral@universalmotors.pt

* References applied only in the UK